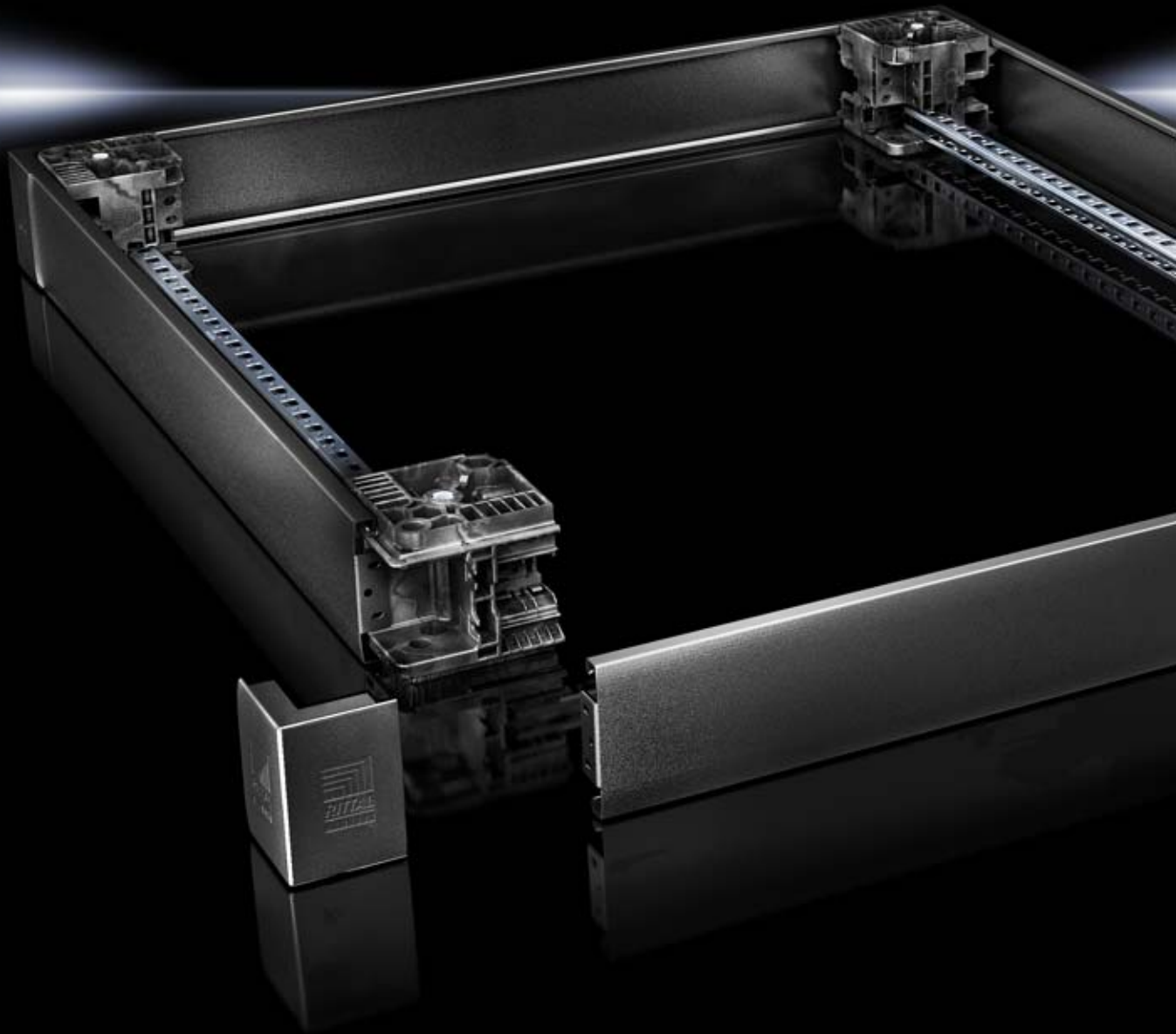


# The Rittal Flex-Block base/plinth system



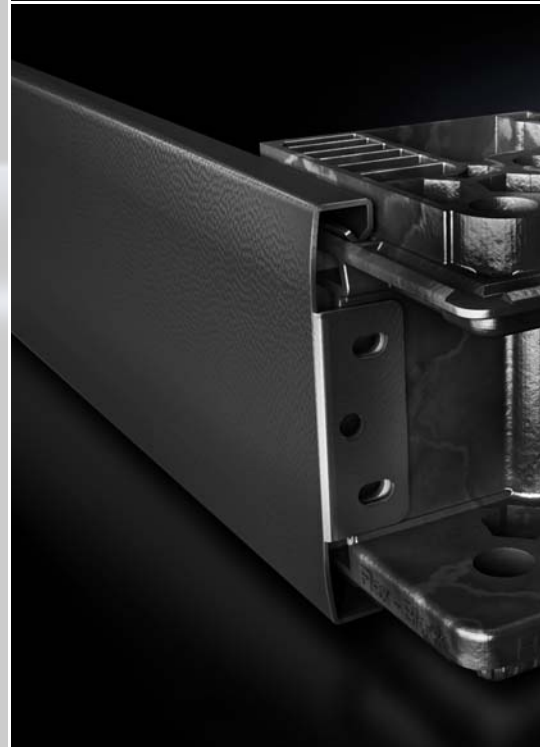
## Save time

- Fast assembly by simply clipping together the base/plinth components
- Easily bayed with toolless baying clip
- The enclosure is easily transported in both its empty and configured state, by removing the base/plinth trim



## Easy to assemble

- Tool-free assembly of all base/plinth components
- Tool-free mounting of accessories, e.g. baying, mounting of levelling feet and castors
- Symmetrical in enclosure widths and depths



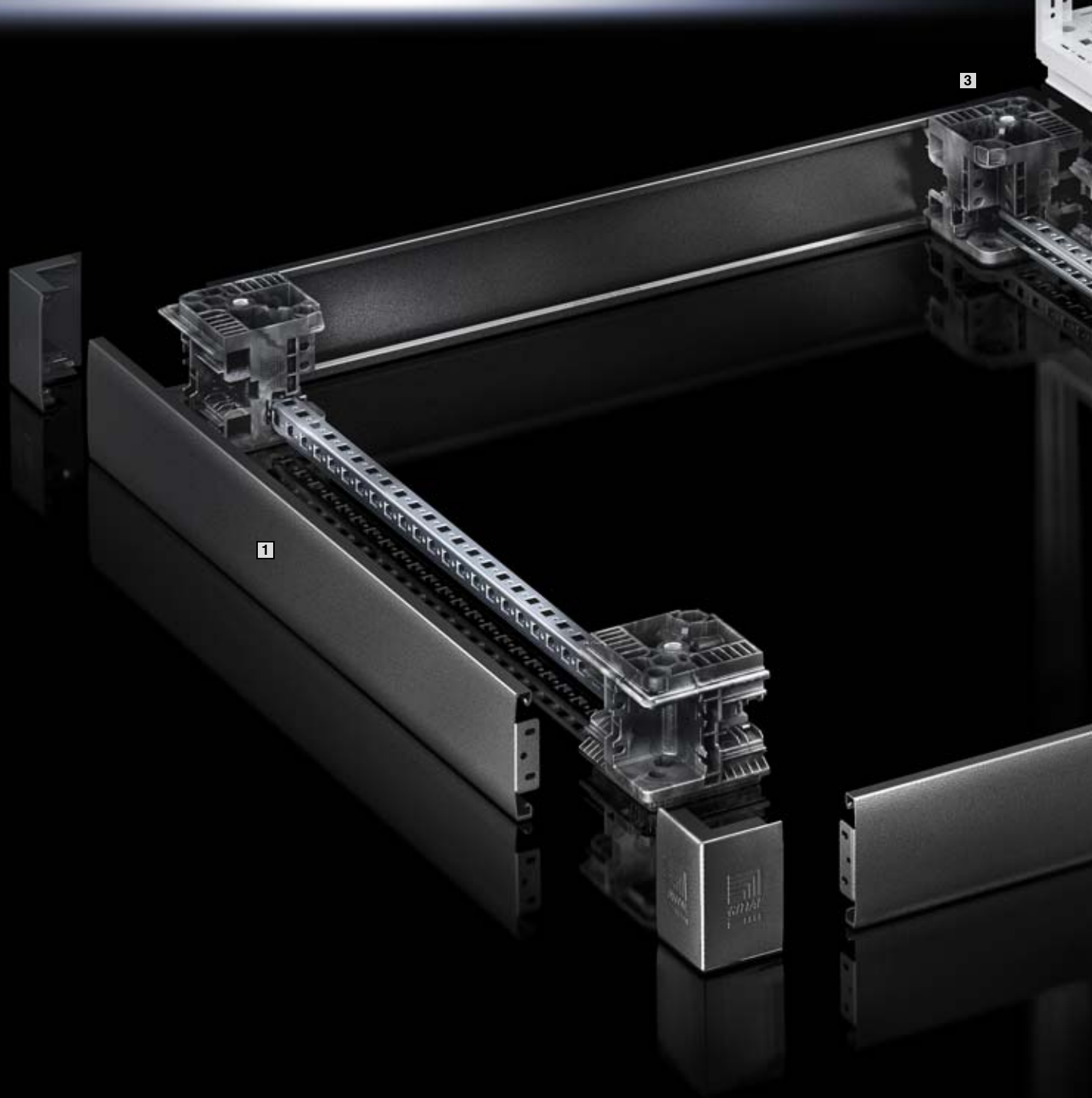
## Large mounting area

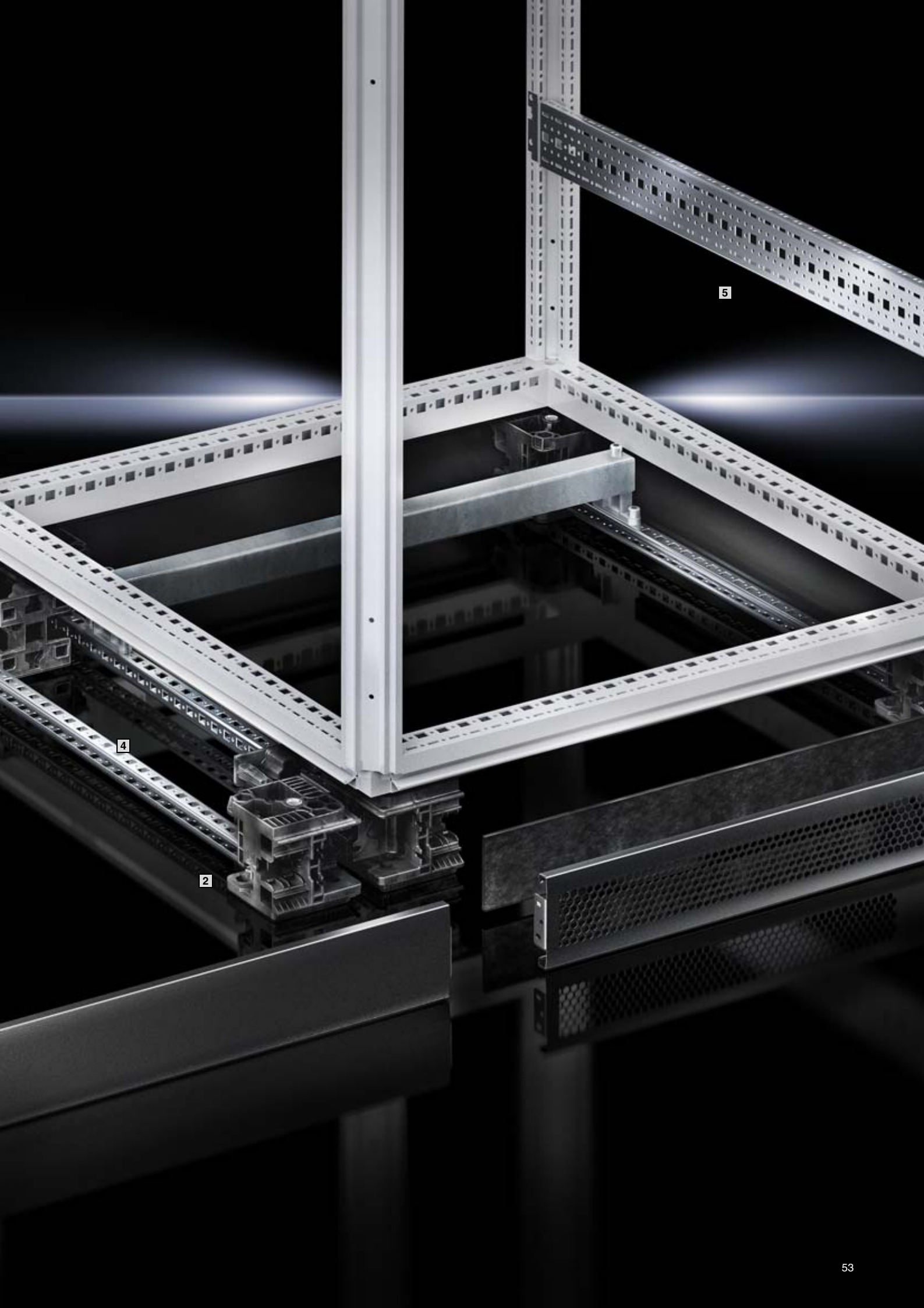
- Space-saving cable routing in the base/plinth means more space for interior installation of the enclosure
- Configuration with punched rail – clip into position from outside or inside
- Flexible configuration: Punched rail with 25 mm pitch pattern of holes



# Simple, fast assembly

- 1 Simply clip the side trim panel into position
- 2 May be secured to the floor at any time
- 3 Baying: Simply insert the baying element into two corner pieces
- 4 Clip punched rails into position without the need for tools
- 5 Simple installation of the rails from the enclosure in the base/plinth area





5

4

2



# Accessories

## Flex-Block base/plinth system



### Flex-Block

for TS, SE, CM, TP, PC

- Plastic base/plinth with metal trim panels for fast, tool-free assembly
- Individual cable management
- Extensive range of accessories
- Symmetrical base/plinth

#### Material:

- Corner pieces: Fibreglass-reinforced plastic
- Cover caps: ABS
- Trim panels: Sheet steel

#### Colour:

RAL 9005

#### Sealed base/plinth supply includes:

- 1 set =
- 4 corner pieces
  - 4 trim panels
  - 4 cover caps
  - Assembly parts for mounting on the enclosure

#### Vented base/plinth supply includes:

- 1 set =
- 4 corner pieces
  - 2 trim panels, vented (width)
  - 2 trim panels, sealed (depth)
  - 4 cover caps
  - Assembly parts for mounting on the enclosure

#### Base/plinth, sealed, height 100 mm

For enclosure size optionally Width or Depth mm		Packs of	Model No. TS
400	500	1	<b>8001.450</b>
400	600	1	<b>8001.460</b>
600	500	1	<b>8001.650</b>
600	600	1	<b>8001.660</b>
600	800	1	<b>8001.680</b>
800	400	1	<b>8001.840</b>
800	500	1	<b>8001.850</b>
800	800	1	<b>8001.880</b>
800	1000	1	<b>8001.800</b>
1000	300	1	<b>8001.030</b>
1000	400	1	<b>8001.040</b>
1000	500	1	<b>8001.050</b>
1000	600	1	<b>8001.060</b>
1200	300	1	<b>8001.230</b>
1200	400	1	<b>8001.240</b>
1200	500	1	<b>8001.250</b>
1200	600	1	<b>8001.260</b>
1200	800	1	<b>8001.280</b>
1600	400	1	<b>8001.940</b>
1800	500	1	<b>8001.950</b>

Available from August 2012

#### Base/plinth, vented, height 100 mm

For enclosure size		Packs of	Model No. TS
Width mm	Depth mm		
600	600	1	<b>8001.662</b>
600	800	1	<b>8001.682</b>
600	1000	1	<b>8001.602</b>
600	1200	1	<b>8001.622</b>
800	600	1	<b>8001.862</b>
800	800	1	<b>8001.882</b>
800	1000	1	<b>8001.802</b>
800	1200	1	<b>8001.822</b>

Available from September 2012



#### Accessories:

- Punched rail 23 x 23 mm (TS 4169.500, TS 4170.500, TS 4171.500, TS 4172.500), see page 55.
- Baying clip (TS 8000.100), see page 55.
- Adaptor sleeve (TS 8000.500), see page 55.
- Base assembly plate (SO 2817.000), see Catalogue 33, page 546.
- Filter mats for vented base/plinth (TS 7583.500), see page 55.

# Accessories

## Flex-Block base/plinth system

### Punched rail 23 x 23 mm

#### for Flex-Block

Tool-free installation in two levels via plug-in system in the Flex-Block depth is supported. For the installation of cable clamp rails.

#### Installation options:

In the width and depth

#### Material:

Sheet steel

#### Surface finish:

Zinc-plated

#### Supply includes:

- 12 punched rails.
- Assembly parts for mounting

Length mm	For width/depth mm	Packs of	Model No. TS
245	400	12	4169.500
345	500	12	4170.500
445	600	12	4171.500
645	800	12	4172.500

Available from August 2012



#### Accessories:

Cable clamp rail (PS 4193.000 etc.), see Catalogue 33, page 717.



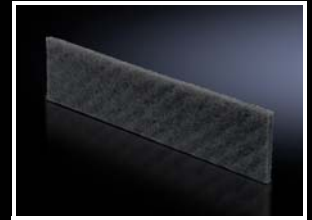
### Filter mat

#### for Flex-Block, vented version

To cover the trim panel in the Flex-Block. The filter mat is simply inserted into the trim panel from the rear. May be cut to any required length. Filter class G3 to DIN EN 779.

For enclosure width mm	Packs of	Model No. TS
600/800	4	7583.500

Available from September 2012



### Baying clip

#### for baying the Flex-Block corner pieces

Tool-free baying of Flex-Block base/plinths via a simple clip system.

#### Material:

Fibreglass-reinforced plastic

#### Colour:

RAL 9005

Packs of	Model No. TS
12	8000.100

Available from August 2012



### Adaptor sleeve

#### for levelling feet and twin castors

To accommodate levelling feet and twin castors on the Flex-Block and for assembling a 200 mm/300 mm high base/plinth by stacking the base/plinth corner pieces.

#### Material:

Steel

#### Surface finish:

Zinc-plated

#### Supply includes:

- 12 adaptor sleeves
- 8 screws M12
- 8 washers

Packs of	Model No. TS
12	8000.500

Available from August 2012



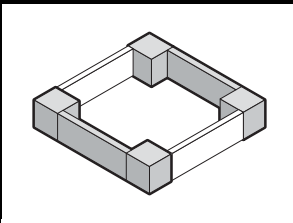
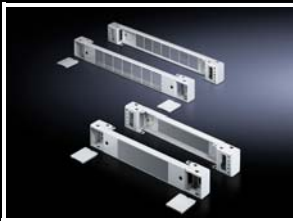
#### Accessories:

- Levelling feet (PS 4612.000), see Catalogue 33, page 555.
- Twin castors (DK 7495.000, CP 6184.000), see Catalogue 33, page 556.



# System accessories

## TS base/plinth



### Base/plinth components front and rear

#### Sheet steel for TS, SE, CM, TP, PC, IW, TE

Base/plinth component consisting of one trim panel and two pre-configured corner pieces. In 200 mm high base/plinth components, one trim panel is divided into two for cable entry.

#### Material:

- Base/plinth components: Sheet steel
- Cover caps: Plastic

#### Surface finish:

Spray-finished

#### Colour:

Cover caps: RAL 9005/7035

#### Supply includes:

- 1 set =
- 2 base/plinth components, 4 cover caps,
- 4 screws and captive nuts M12 for mounting on the enclosure.

#### 100 mm high, colour: RAL 7022

For enclosure width mm	Design	Model No. TS
300	Solid	<b>8601.915</b>
400	Solid	<b>8601.400</b>
500	Solid	<b>8601.500</b>
600	Solid	<b>8601.600</b>
800	Solid	<b>8601.800</b>
850	Solid	<b>8601.850</b>
1000	Solid	<b>8601.000</b>
1100	Solid	<b>8601.300</b>
1200	Solid	<b>8601.200</b>
1600	Solid	<b>8601.920</b>
1800	Solid	<b>8601.980</b>



#### Also required:

Base/plinth trim, side, see Catalogue 33, page 544.



#### Accessories:

- Base assembly plate SO 2817.000, see Catalogue 33, page 546.
- Filter mat for vented versions, see Catalogue 33, page 548.

#### Detailed drawings:

Available on the Internet.

#### 200 mm high, colour: RAL 7022

For enclosure width mm	Design	Model No. TS
300	Solid	<b>8602.915</b>
400	Solid	<b>8602.400</b>
500	Solid	<b>8602.500</b>
600	Solid	<b>8602.600</b>
800	Solid	<b>8602.800</b>
850	Solid	<b>8602.850</b>
1000	Solid	<b>8602.000</b>
1100	Solid	<b>8602.100</b>
1200	Solid	<b>8602.200</b>
1600	Solid	<b>8602.920</b>
1800	Solid	<b>8602.980</b>

### Base/plinth components front and rear

#### Stainless steel for TS, SE

Material: Stainless steel 1.4301 (AISI 304)

#### Surface finish:

Brushed, grain 400

#### Supply includes:

Mounting accessories for mounting on the enclosure.

#### 100 mm high:

2 trim panels front/rear

#### 200 mm high:

- 2 corner pieces with removable trim panel
- 1 trim panel front/rear

For enclosure width mm	Height mm	Model No. TS
600	100	<b>8701.600</b>
800	100	<b>8701.800</b>
1000	100	<b>8701.000</b>
1200	100	<b>8701.200</b>
600	200	<b>8702.600</b>
800	200	<b>8702.800</b>
1000	200	<b>8702.000</b>
1200	200	<b>8702.200</b>



#### Also required:

Base/plinth trim, side, see Catalogue 33, page 549.



#### Accessories:

Base/plinth trim, modular (perforated plate), see Catalogue 33, page 549.

# System accessories

## Baying cover, top

A cover with two end caps may additionally be clipped over the seal between the two enclosures. This prevents dirt and liquid from collecting on the baying seal.

### Material:

- Cover section: Plastic or stainless steel 1.4301
- End caps: Plastic

### Colour:

Cover section plastic and end caps: RAL 7035

### Supply includes:

- Cover section
- 2 end caps

For enclosure depth mm	Packs of	RAL 7035	Stainless steel 1.4301 (AISI 304)	Model No. TS
400	1	■	–	<b>8800.845</b>
500	1	■	–	<b>8800.855</b>
600	1	■	–	<b>8800.865</b>
800	1	■	–	<b>8800.885</b>
1200	1	■	–	<b>8800.825</b>
400	1	–	■	<b>8700.140</b>
500	1	–	■	<b>8700.150</b>
600	1	–	■	<b>8700.160</b>

### Note:

- May also be fitted in the width with enclosure suites bayed back-to-back.
- May also be used in conjunction with dust guard trim, see Catalogue 33, page 620.



## Baying cover, vertical

To compensate for the gap when baying back-to-back.

For enclosure height 2200 mm, or may be cut to length individually for lower heights.

Packs of	Model No. TS
2	<b>8800.870</b>

### Material:

Cover section and end caps: Plastic

### Colour:

RAL 7035

### Supply includes:

- Cover section
- 2 end caps



## TP aluminium strip

For retrofitting externally on:

- TP three-part/two-part
- TP one-piece console
- May be mounted on all enclosures/covers with 20 mm fold height (max. metal thickness 2 mm)

Length: 1750 mm

(for other dimensions, simply cut to length).

Sufficient for desk units and consoles:

- 3 x width 600 mm
- 2 x width 800 mm
- 1 x width 1000 mm + 1 x width 600 mm
- 1 x width 1200 mm
- 1 x width 1600 mm

Length mm	Model No. TP
1750	<b>6731.120</b>

### Material:

- Aluminium strip: Extruded aluminium section
- Cover caps: Plastic

### Surface finish:

Aluminium strip: Natural-anodised

### Colour:

Cover caps: RAL 7035

### Supply includes:

- 1 aluminium section
- 6 plastic cover caps
- Drilling template
- Mounting accessories

